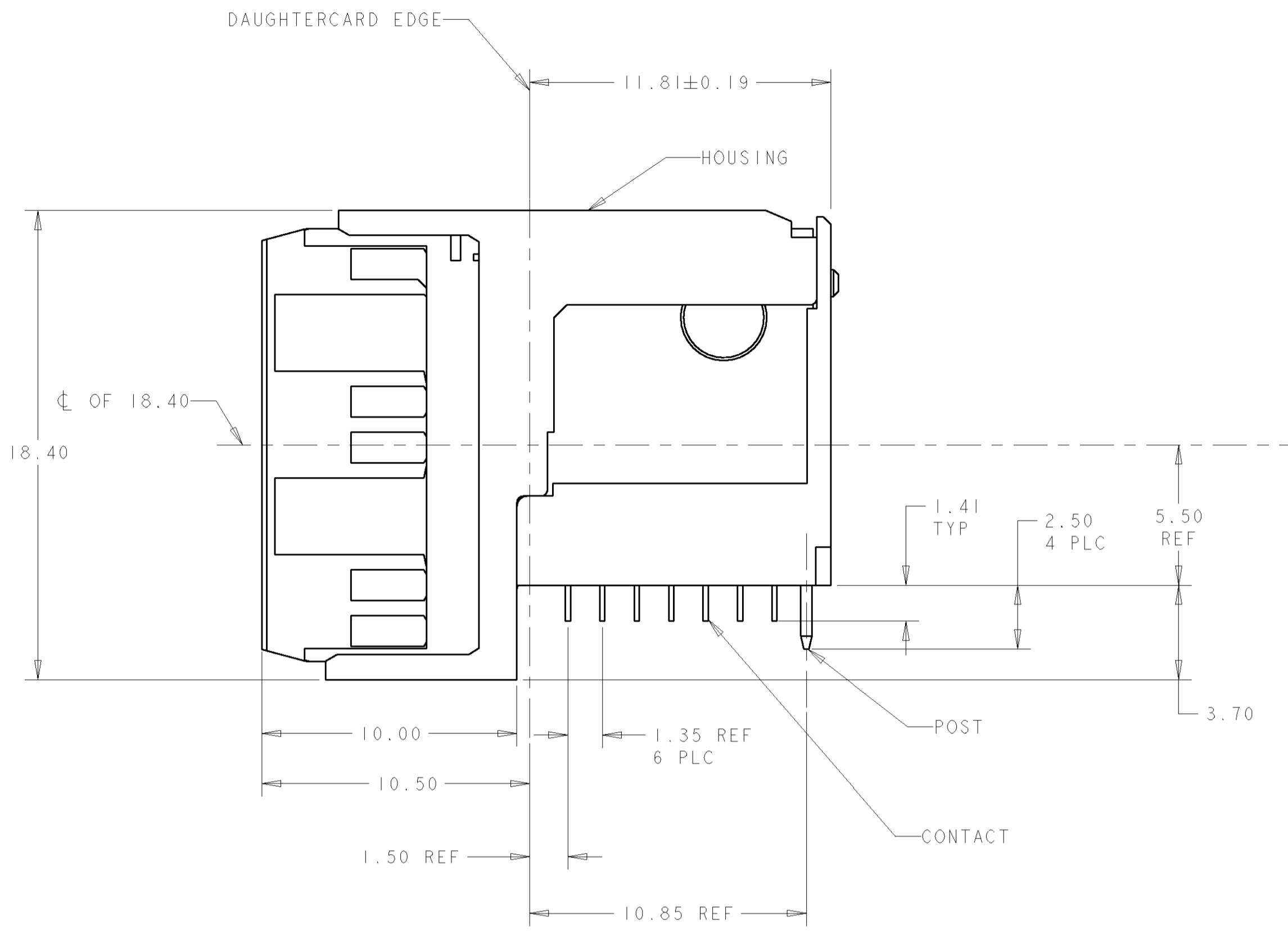
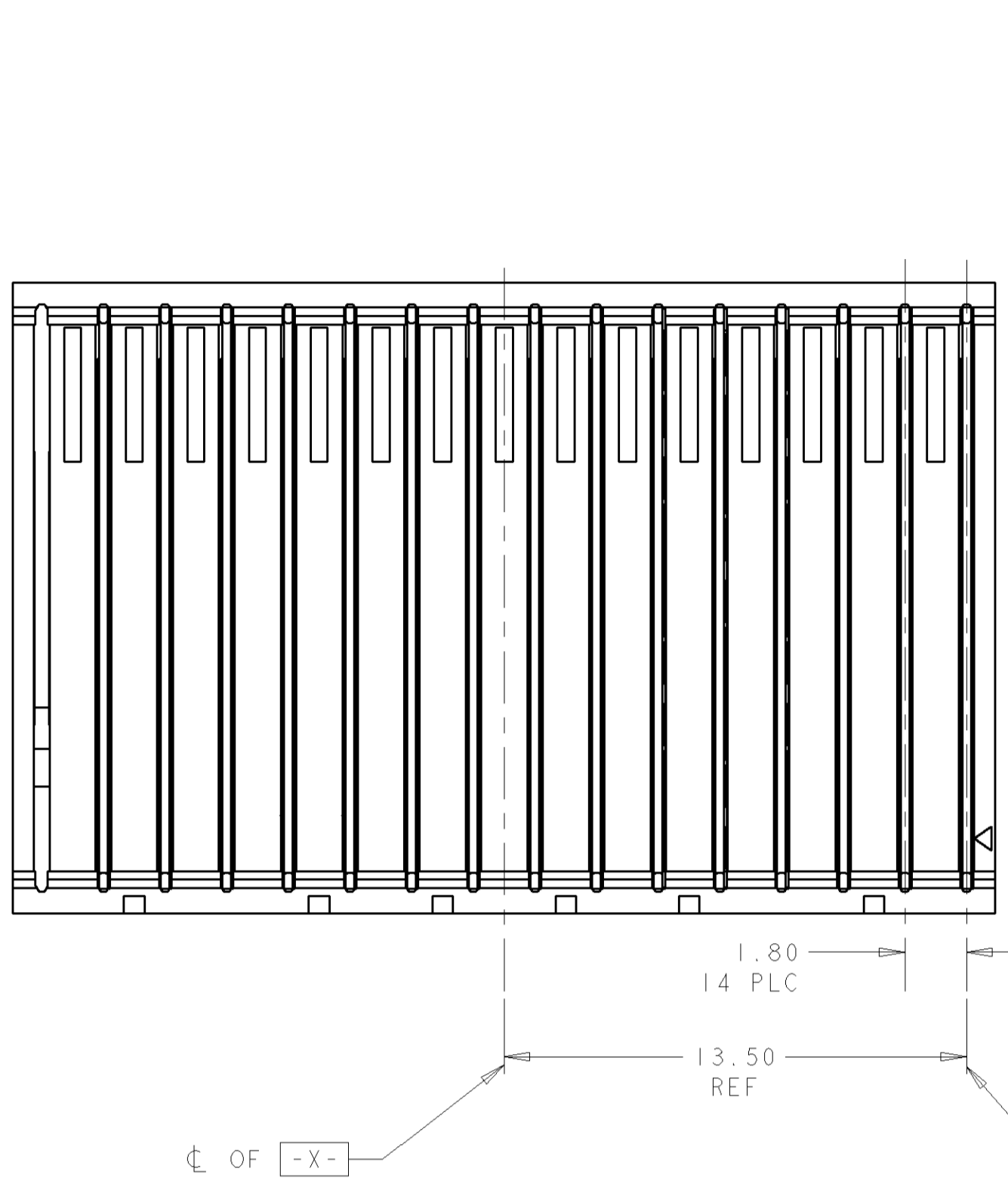


LOC		DIST		REVISIONS			
GP	00	P	LTR	DESCRIPTION	DATE	DNW	APVD
		05		ADDED PRELIMINARY	26AUG2004	LS	JJC
		A		REV PER ECO-06-005380	14MAR2006	BC	GG
		B		REV PER ECO-07-006584	21MAR2007	BC	GG



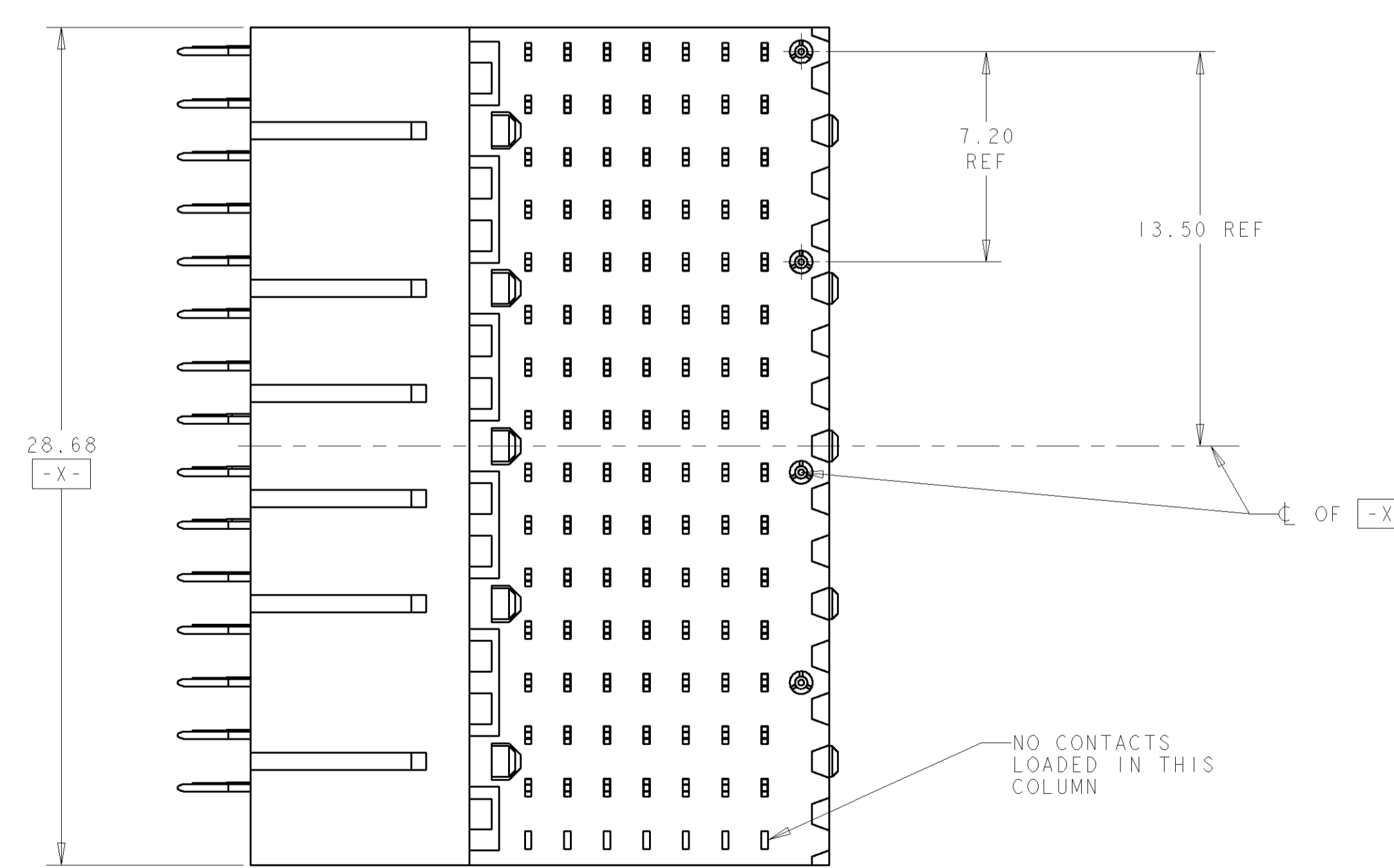
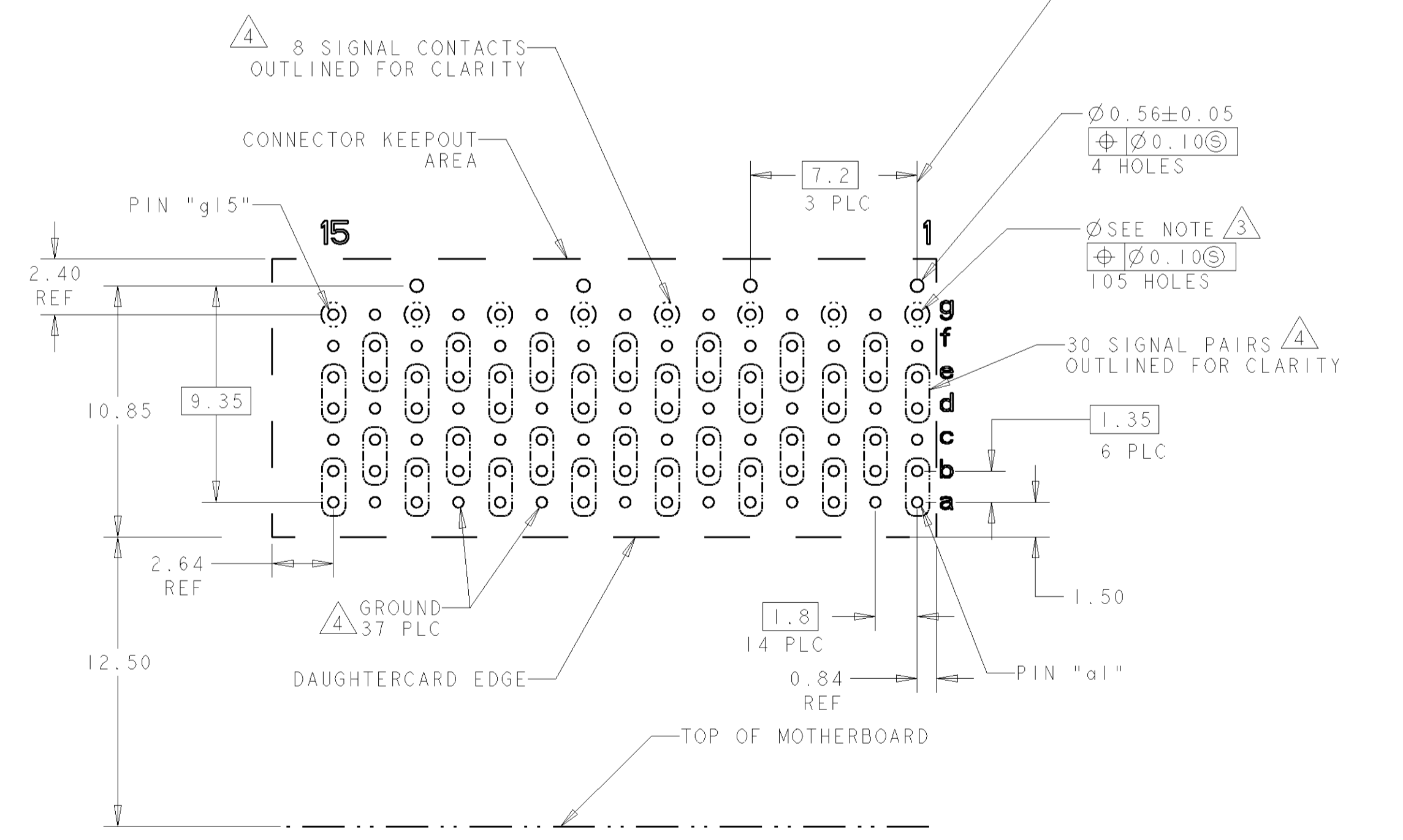
- 1 HOUSING: LCP, UL94V0, COLOR: BLACK.
CONTACT: PHOSPHOR BRONZE.
POST: BRASS WIRE
- 2 CONTACT: 0.76µm MIN GOLD IN CONTACT AREA.
0.5µm MIN TIN-LEAD ON COMPLIANT PORTION
OF PCB TAIL OVER 1.27µm MIN NICKEL OVER ALL.
POST: 1.27µm MIN NICKEL PLATED.
- 3 MANUFACTURING TOLERANCE FOR $\phi 0.46 \pm 0.05$
DIAMETER FINISHED HOLE WITH Sn/PB PLATING:
DRILLED HOLE = $\phi 0.55 \pm 0.02$
COPPER PLATING = 0.025-0.050
Sn PB PLATING = 0.0038-0.0124
OR
MANUFACTURING TOLERANCE FOR $\phi 0.475 \pm 0.05$
DIAMETER FINISHED HOLE WITHOUT Sn/PB PLATING:
DRILLED HOLE = $\phi 0.55 \pm 0.02$
COPPER PLATING = 0.025-0.050
- 4 SEE TABLE I FOR INTERCONNECTIONS TO
BACKPLANE CONNECTOR.
- 5 CONTACT: 0.76µm MIN GOLD IN CONTACT AREA.
0.5µm MIN TIN ON COMPLIANT PORTION
OF PCB TAIL OVER 1.27µm MIN NICKEL OVER ALL.
POST: 1.27µm MIN NICKEL PLATED.

TABLE I
INTERCONNECTIONS WITH BACKPLANE CONNECTOR 1410135

TYPICAL INTERCONNECTIONS FOR EACH EVEN-NUMBERED COLUMN (WAFER): 2, 4, 6, 8, 10, 12, 14.		
CONTACT USAGE	DAUGHTERCARD CONNECTOR PIN	BACKPLANE CONNECTOR PIN
SIGNAL PAIR	bx	cx
SIGNAL PAIR	cx	dx
SIGNAL PAIR	ex	gx
SIGNAL PAIR	fx	hx
GROUND	ax, dx, gx, (ALL COMMONED)	ax, bx, ex, fx, ix

TYPICAL INTERCONNECTIONS FOR EACH ODD-NUMBERED COLUMN (WAFER): 1, 3, 5, 7, 9, 11, 13, 15		
CONTACT USAGE	DAUGHTERCARD CONNECTOR PIN	BACKPLANE CONNECTOR PIN
SIGNAL PAIR	ax	ax
SIGNAL PAIR	bx	bx
SIGNAL PAIR	dx	ex
SIGNAL PAIR	ex	fx
SIGNAL PAIR	gx	ix
GROUND	cx, fx (ALL COMMONED)	cx, dx, gx, hx

NOTE: "x" DESIGNATES THE COLUMN NUMBER



PC BOARD LAYOUT
(CONNECTOR SIDE)
SCALE 5:1

DIMENSIONS:		TOLERANCES UNLESS OTHERWISE SPECIFIED:		DWG. NO. 230CT2003		Tyco Electronics	
mm	0 PLC ±	1 PLC ±0.5	2 PLC ±0.13	3 PLC ±	4 PLC ±	5 PLC ±	1410147-2
	ANGLES	FINISH		APVD J. CONSOLI	DATE 14MAR2006	NAME G. GRIFFITH	1410147-1
				PRODUCT SPEC 108-2072	APPLICATION SPEC	SIZE 114-13056	RESTRICTED TO
MATERIAL				WEIGHT		SCALE 3:1	SHEET 1 OF 1
				CUSTOMER DRAWING		00779	REV B